

Ecostat E

Bath thermostat for exposed installation

Surfaces: **Chrome** Article Number: **15774000**



Description

product features

- projection 183 mm
- 2 functions
- centre distance: 150 ± 12 mm
- CoolContact thermostat: Prevents the housing from heating up, making showering even safer
- maximum flow rate at 3 bar: 18,6 l/min
- flow rate for bath spout at 3 bar: 18,6 l/min
- flow rate of hand shower at 3 bar: 15,4 l/min
- min. operating pressure: 1 bar
- max. operating pressure: 10 bar
- thermostat cartridge
- safety lock at 40 °C
- temperature limitation adjustable
- non-return valve
- protected against backflow, according to DIN EN 1717
- with silencer
- material handles: metal
- connection type: s-shaped connections
- connection dimension: G ½
- dirt filter included

Technology



Design awards

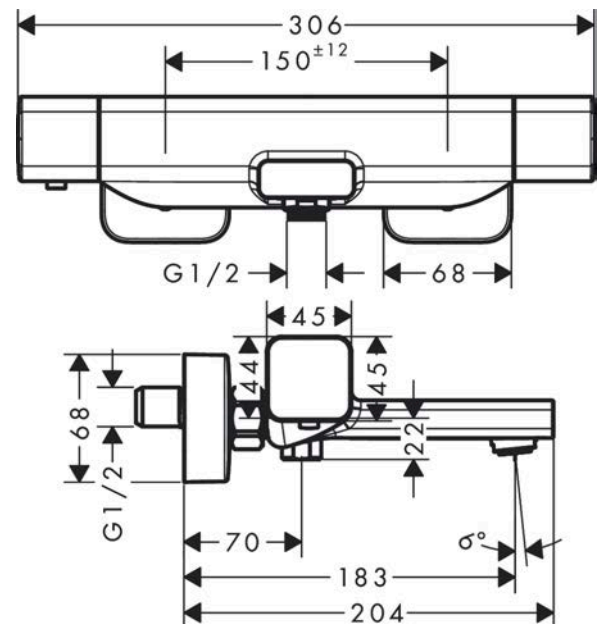


reddot award 2019
winner

Product image



Scale drawing



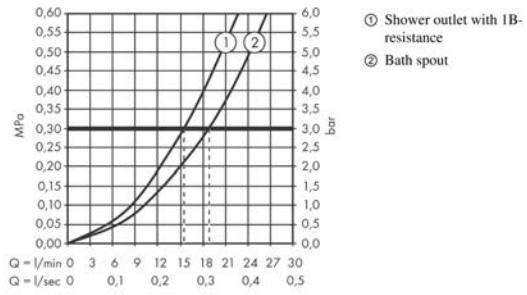
Ecostat E

Bath thermostat for exposed installation

Surfaces: **Chrome** Article Number: **15774000**



Flowchart



Ecostat E

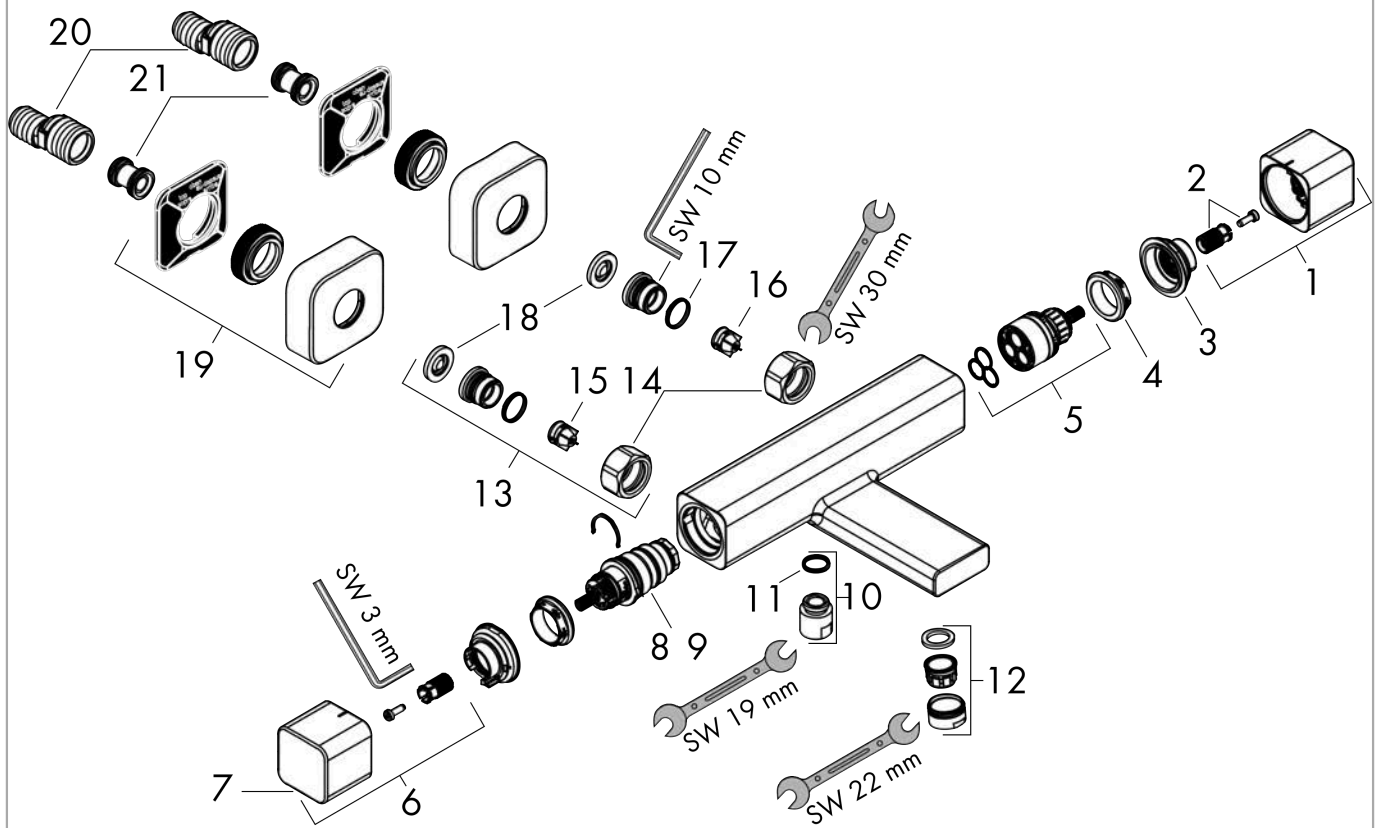
Bath thermostat for exposed installation

Surfaces: **Chrome** Article Number: **15774000**



Exploded Drawing

Year of production: >08/19



Ecostat E

Bath thermostat for exposed installation

Surfaces: **Chrome** Article Number: **15774000**



Spare part list

Year of production: >08/19

Pos.	Description	Article Number	Price	PU
1	handle	93521000	-	1
2	handle fixing set	93228000	-	1
3	safety set	93519000	-	1
4	nut	98913000	-	1
5	shut off unit with selector	98283000	-	1
6	handle	93520000	-	1
7	pushbutton	92848000	-	1
8	thermostat cartridge	98282000	-	1
9	cartridge for exchanged connections	92373000	-	1
10	connecting thread	95392000	-	1
11	O-ring 14x2	98129000	-	1
12	aerator M24x1 (38 l/min)	95871000	-	1
13	set of unions	94285000	-	1
14	set of nuts	96157000	-	1
15	non return valve (pressure-resistant up to 2 MPa)	93136000	-	1
16	non return valve	96737000	-	1
17	O-ring 17x1,5	98137000	-	1
18	filter packing	96922000	-	1
19	escutcheon	93518000	-	1
20	set of S-unions (±12 mm)	94140000	-	1
21	noise reduction	96429000	-	1