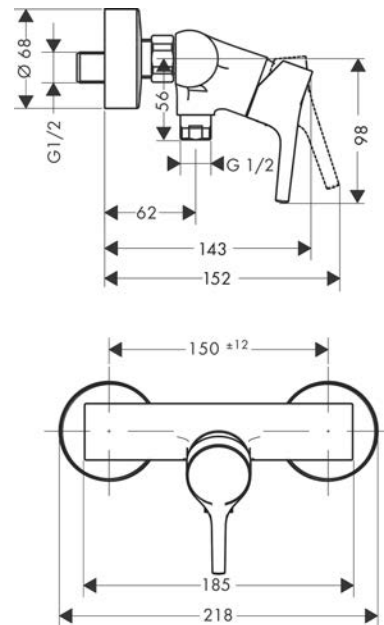


Talis S**Single lever shower mixer for exposed installation**Surfaces: **Chrome** Article Number: **72600000****Description****product features**

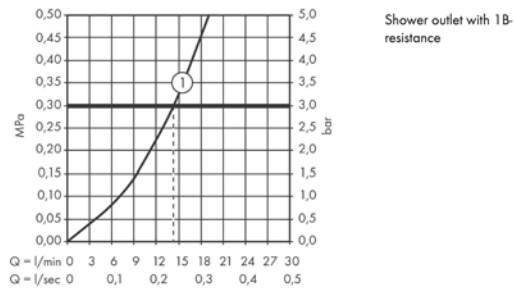
- 1 function
- centre distance: 150 ± 12 mm
- maximum flow rate at 3 bar: 31 l/min
- flow rate of hand shower at 3 bar: 14 l/min
- ceramic cartridge
- temperature limitation adjustable
- non-return valve
- with silencer
- hose connection DN15
- connection dimension: DN15
- connection type: s-shaped connections
- min. operating pressure: 1 bar
- max. operating pressure: 10 bar

Product image**Scale drawing**

Talis S
Single lever shower mixer for exposed installation
 Surfaces: **Chrome** Article Number: **72600000**



Flowchart

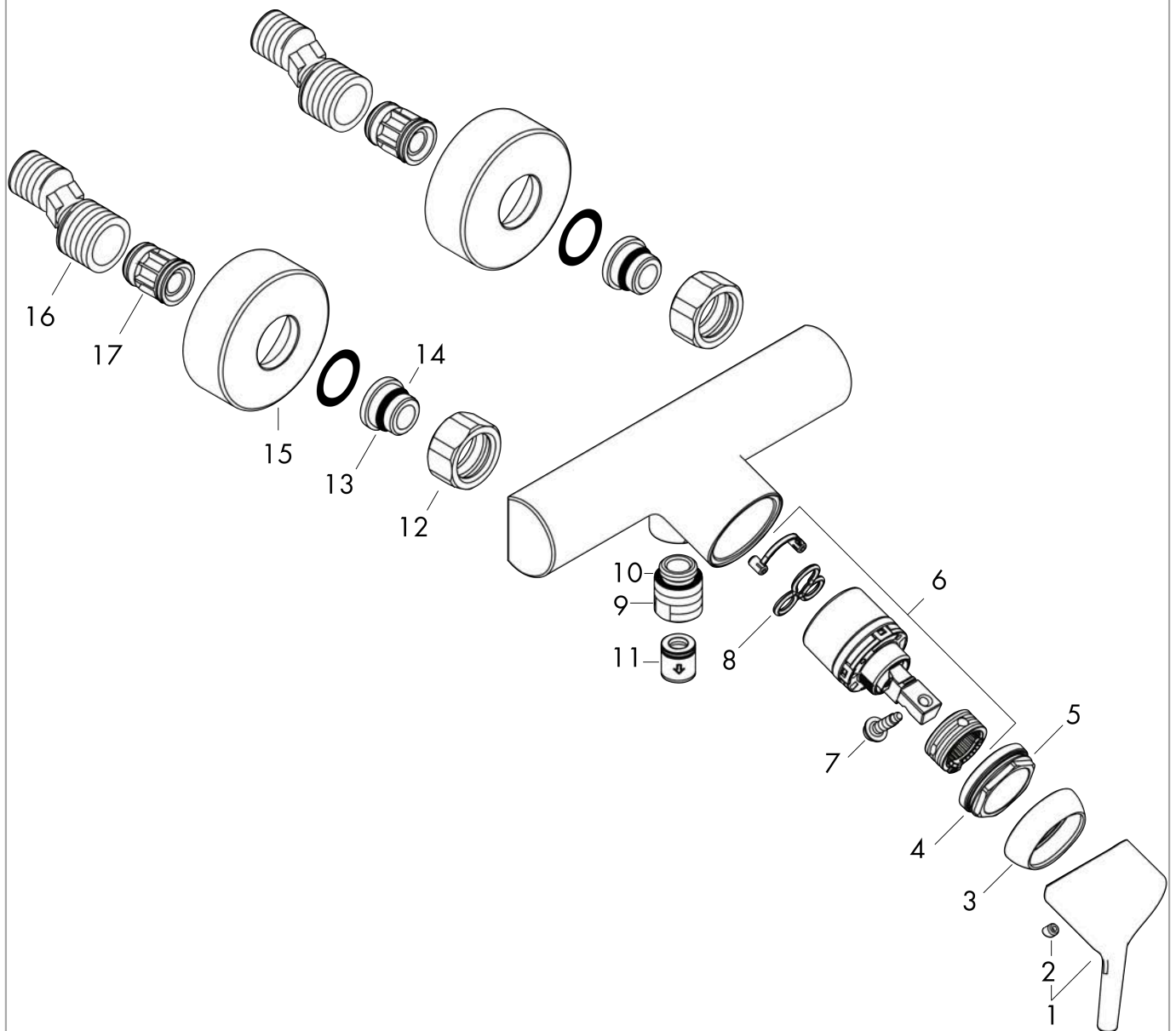


Talis S
Single lever shower mixer for exposed installation
 Surfaces: **Chrome** Article Number: **72600000**



Exploded Drawing

Year of production: >10/15



Talis S
Single lever shower mixer for exposed installation
 Surfaces: **Chrome** Article Number: **72600000**



Spare part list

Year of production: >10/15

Pos.	Description	Article Number	Price	PU
1	handle	92644000	€ 28,20	1
2	screw cover	96338000	€ 3,21	1
3	flange	97406000	€ 18,33	1
4	nut	97209000	€ 13,92	1
5	O-Ring 32x2	98193000	€ 3,21	1
6	cartridge, assy	92730000	€ 57,12	1
7	locking screw for handle	95140000	€ 5,24	1
8	seal	95008000	€ 8,45	1
9	Hose Connection	96044000	€ 22,37	1
10	O-ring 14x2	98129000	€ 3,21	1
11	set of non return valves DW 15	94074000	€ 13,92	1
12	set of nuts	96157000	€ 28,20	1
13	connecting thread	97220000	€ 13,92	1
14	O-ring 15x2	98163000	€ 3,21	1
15	escutcheon Ø 68 mm	96467000	€ 18,33	1
16	set of S-unions (±12 mm)	94140000	€ 44,63	1
17	noise reduction	96429000	€ 5,24	1