

## Metris

### Single lever basin mixer 110 with pop-up waste set

Surfaces: **Chrome** Article Number: **31080000**



#### Description

##### product features

- consists of: single lever basin mixer, waste set
- ComfortZone 110
- projection: 116 mm
- spray type: normal spray
- maximum flow rate at 3 bar: 5 l/min
- ceramic cartridge
- temperature limitation adjustable
- suitable for continuous flow water heaters
- pop-up waste set G 1¼
- material waste set: metal
- connection type: G ¾ connections
- connection dimension: DN15

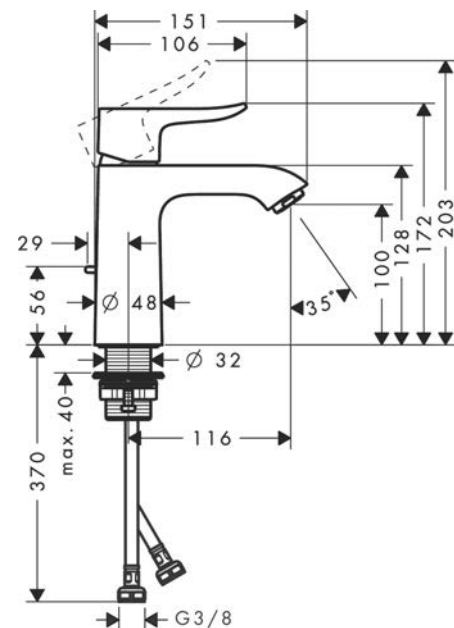
#### Technology



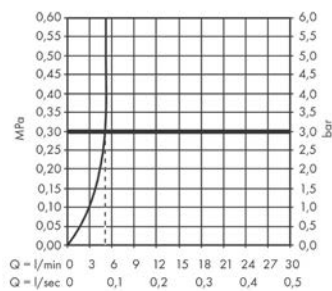
#### Product image



#### Scale drawing



#### Flowchart



**Metris**

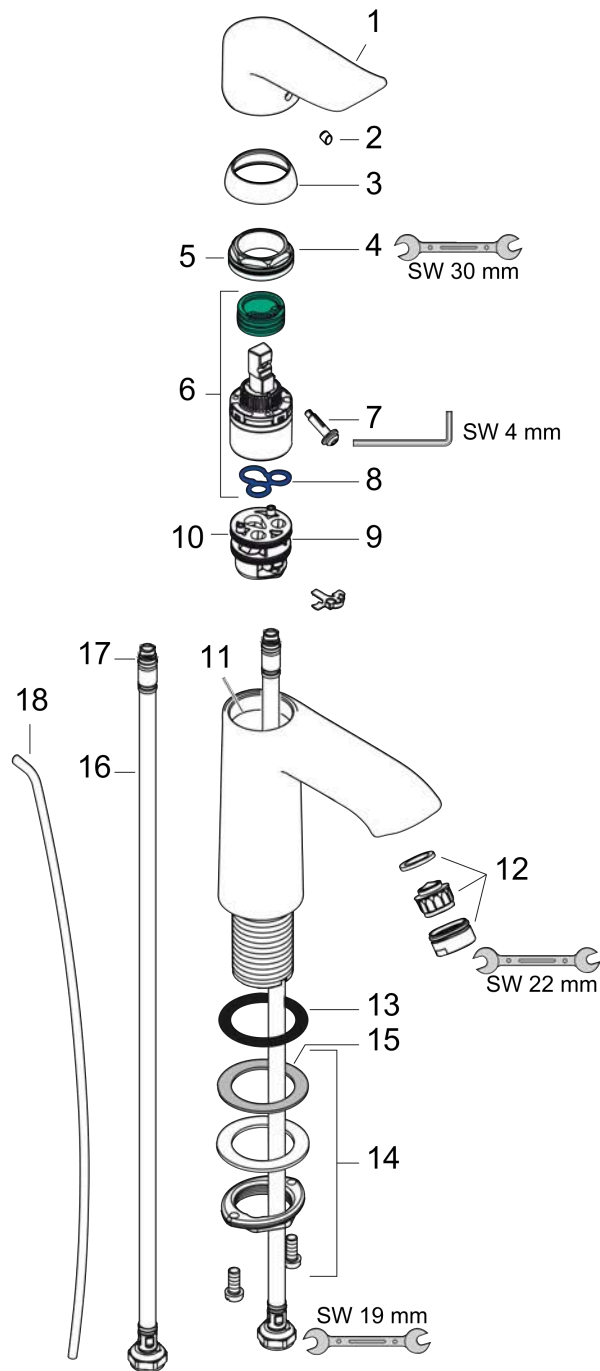
**Single lever basin mixer 110 with pop-up waste set**

Surfaces: **Chrome** Article Number: **31080000**



**Exploded Drawing**

Year of production: >04/17



**Metris****Single lever basin mixer 110 with pop-up waste set**Surfaces: **Chrome** Article Number: **31080000****Spare part list**

Year of production: &gt;04/17

Pos.	Description	Article Number	Price	PU
1	handle	95519000	€ 35,94	1
2	screw cover	96338000	€ 3,21	1
3	flange	97406000	€ 18,33	1
4	nut	97209000	€ 13,92	1
5	O-Ring 32x2	98193000	€ 3,21	1
6	cartridge, assy	92730000	€ 57,12	1
7	locking screw for handle	95140000	€ 5,24	1
8	seal	95008000	€ 8,45	1
9	adapter for cartridge	98750000	€ 11,31	1
10	O-Ring 30x2	98186000	€ 3,21	1
11	O-ring 35x2	92604000	€ 5,24	1
12	aerator M24x1 (5 l/min)	13185000	-	1
13	flat seal	98749000	€ 5,24	1
14	fixing set (Ø 32)	13961000	€ 22,37	1
15	lever collar	97548000	€ 3,21	1
16	connection hose 450 mm M8x0,75 G3/8	97206000	€ 28,20	1
17	O-ring 6,6x1,6	93019000	€ 3,21	1
18	pull rod	96657000	€ 11,31	1
a	pop up waste	94139000	-	1
b	fixation extension 35 mm	13898000	€ 70,57	1
c	aerator M24x1 (3,5 l/min)	92508000	€ 18,33	1
d	aerator M24x1 (4,5 l/min)	92877000	€ 18,33	1
e	aerator swivelling M24x1 (5 l/min)	95928000	€ 28,20	1