

**Talis M51**  
**Single lever kitchen mixer 200, pull-out spray, 2jet**  
 Surfaces: **Chrome** Article Number: **72813000**



**Description**

**product features**

- ComfortZone 200
- swivel range adjustable in 2 steps to 110° or 150°
- laminar spray, shower spray
- lockable shower spray, spray returns through pressing spray diverter
- MagFit magnetic shower support
- quick connect hose
- connection dimension: DN15
- maximum flow rate at 3 bar: 9 l/min
- ceramic cartridge
- connection type: G 3/8 connections
- temperature limitation adjustable
- integrated non-return valve
- suitable for continuous flow water heaters
- extension length up to 50 cm

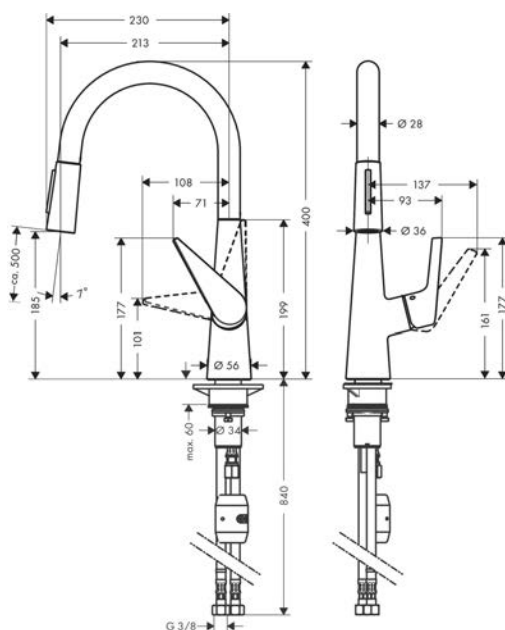
**Technology**



**Product image**



**Scale drawing**



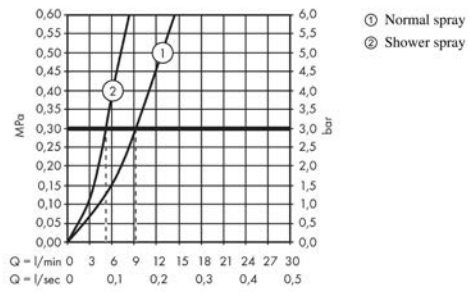
**Talis M51**

**Single lever kitchen mixer 200, pull-out spray, 2jet**

Surfaces: **Chrome** Article Number: **72813000**



**Flowchart**



**Talis M51**

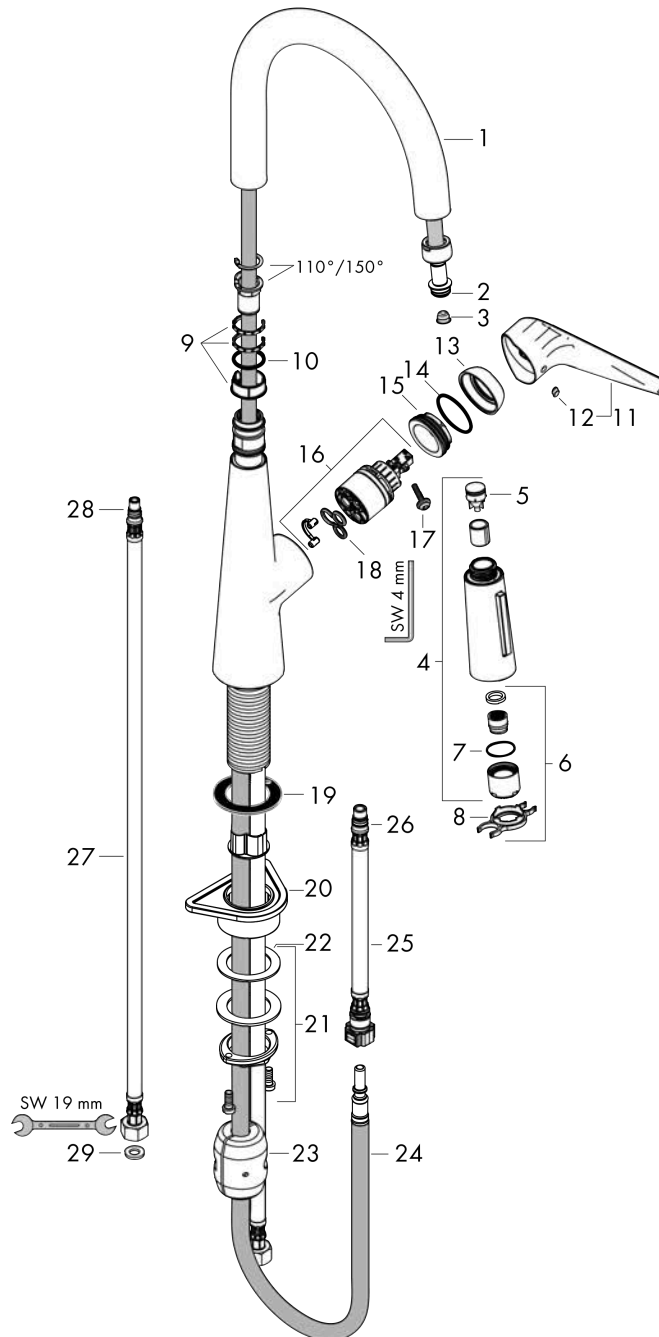
**Single lever kitchen mixer 200, pull-out spray, 2jet**

Surfaces: **Chrome** Article Number: **72813000**



**Exploded Drawing**

Year of production: >10/17



## Talis M51

Single lever kitchen mixer 200, pull-out spray, 2jet

Surfaces: **Chrome** Article Number: **72813000**



### Spare part list

Year of production: >10/17

Pos.	Description	Article Number	Price	PU
1	spout cpl.	92731000	€ 162,08	1
2	O-ring 11x2	98127000	€ 3,21	1
3	filter	97735000	€ 3,21	1
4	handspray	92732000	€ 124,95	1
5	non return valve	96737000	€ 28,20	1
6	aerator laminar M22x1 (15 l/min)	95909000	€ 44,63	1
7	O-ring 20x1	98140000	€ 3,21	1
8	service tool	95910000	€ 8,45	1
9	set of lever collars	98365000	€ 8,45	1
10	O-ring 21x2,5	98211000	€ 3,21	1
11	handle	92581000	€ 44,63	1
12	screw cover	96338000	€ 3,21	1
13	flange	95498000	€ 8,45	1
14	O-Ring 32x2	98193000	€ 3,21	1
15	nut	97209000	€ 13,92	1
16	cartridge, assy	92730000	€ 57,12	1
17	locking screw for handle	95140000	€ 5,24	1
18	seal	95008000	€ 8,45	1
19	seal	92582000	€ 3,21	1
20	support	97523000	€ 5,24	1
21	fixing set (Ø 34)	95049000	€ 13,92	1
22	lever collar	97548000	€ 3,21	1
23	weight	98551000	€ 18,33	1
24	hose 1,50 m	95507000	€ 70,57	1
25	connection hose 600 mm M10x1	95561000	€ 22,37	1
26	O-ring 7x1,5	98422000	€ 3,21	1
27	connection hose 900 mm M8x0,75 G3/8	96316000	€ 35,94	1
28	O-ring 8x1,75	97827000	€ 3,21	1
29	sealing set	95581000	€ 5,24	1