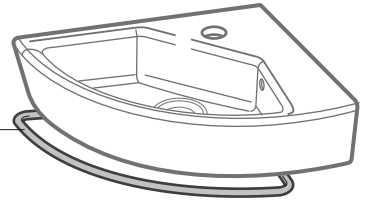




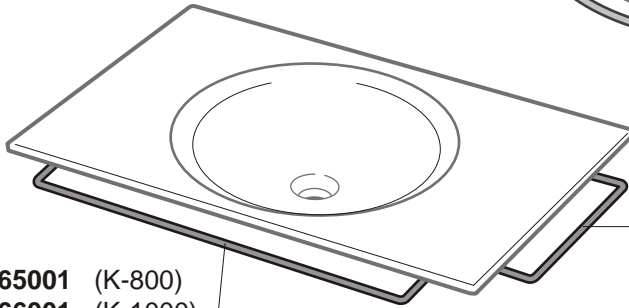
**Roca**

# HALL / KALAHARI / MOHAVE

8-40628001

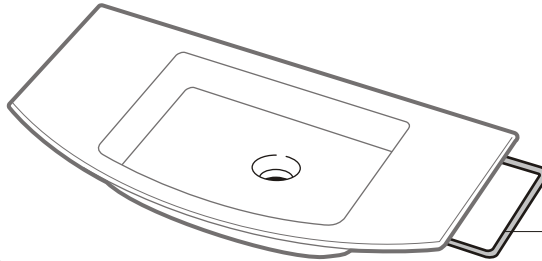


8-40523001

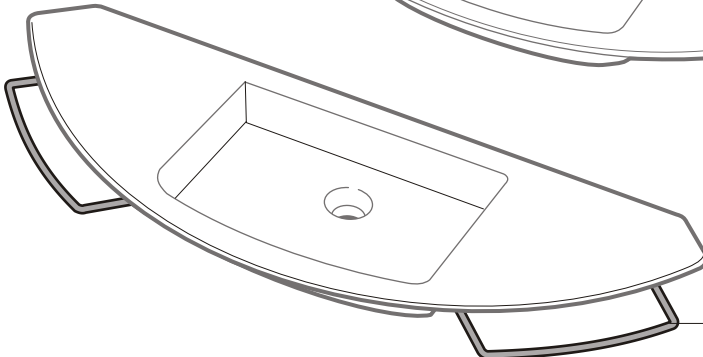


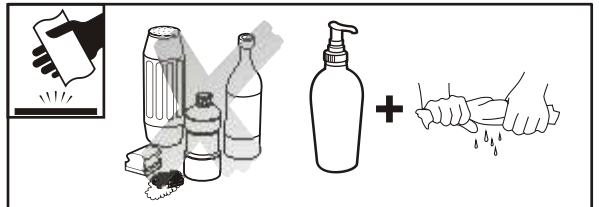
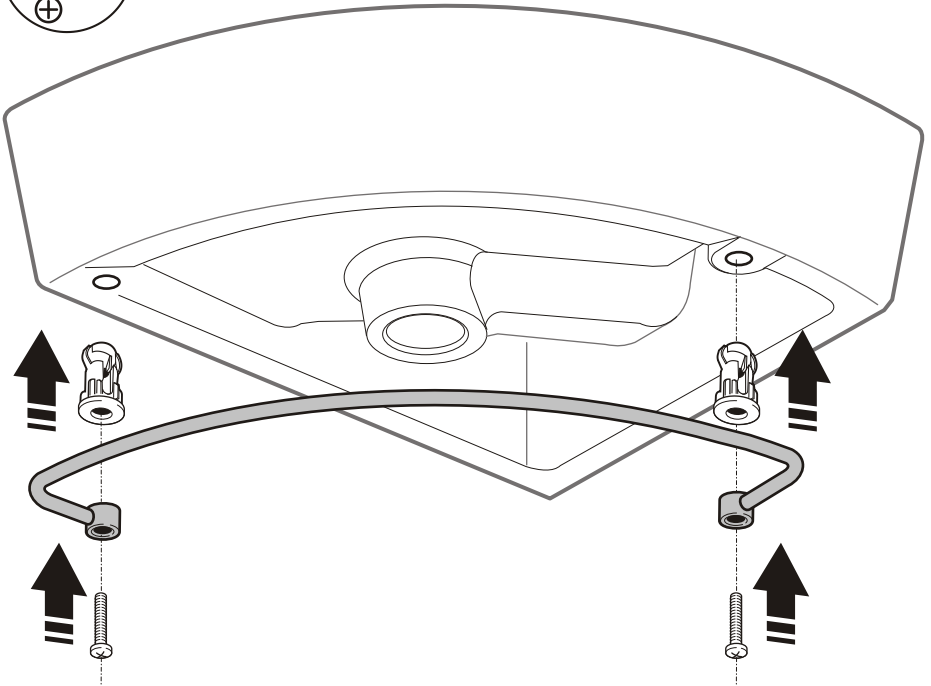
8-40665001 (K-800)  
8-40666001 (K-1000)  
8-40667001 (K-1200)

8-40524001



8-40597001





**Roca Sanitario, S.A.**

Avda. Diagonal, 513  
08029 Barcelona SPAIN  
Teléfono 93 366 1200  
Fax 93 419 4501  
www.roca.es

**Roca**

8-47286  
L.P.8-13-01  
hoja 7-2