

Basic set for mixers floor-standing

Surfaces: n.a. Article Number: **10452180**



Description

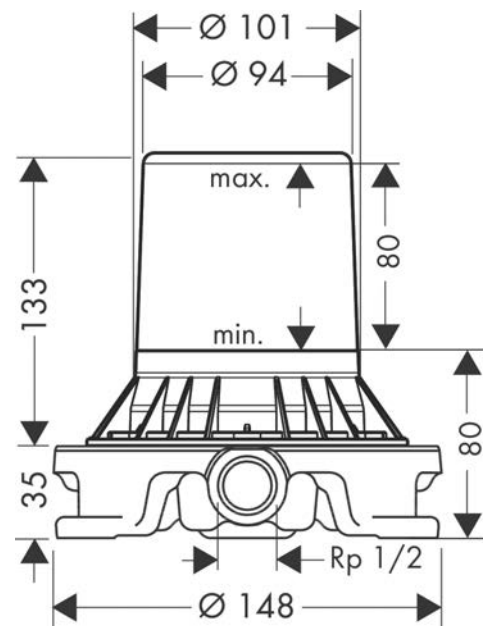
product features

- for mounting on unfinished floor
- suitable for single lever bath mixer, single lever basin mixer and bath spout floor-standing
- connection dimension: DN15
- minimum mounting depth: 53 mm
- maximum mounting depth: 133 mm

Product image



Scale drawing



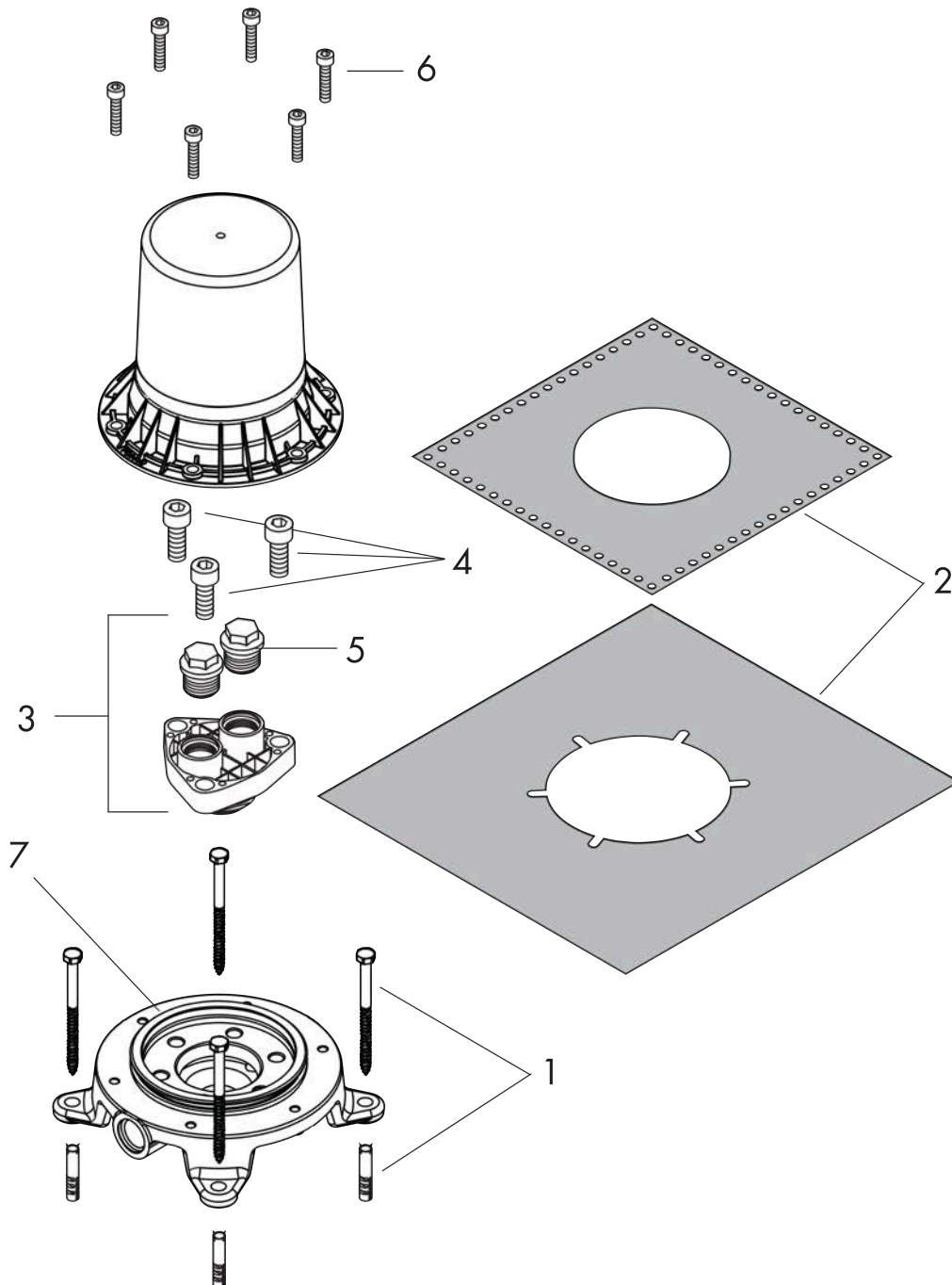
Basic set for mixers floor-standing

Surfaces: n.a. Article Number: 10452180



Exploded Drawing

Year of production: >01/07



Basic set for mixers floor-standing

Surfaces: n.a. Article Number: 10452180



Spare part list

Year of production: >01/07

Pos.	Description	Article Number	Price	PU
1	mounting kit	96260000	-	1
2	sealing foil	96441000	-	1
3	sealing set	96459000	-	1
4	hexagon socket screw M10x35	97670000	-	1
5	O-ring 15x2,5	98131000	-	1
6	hexagon socket screw M6x16	92857000	-	1
7	O-ring 99x3,5	92154000	-	1